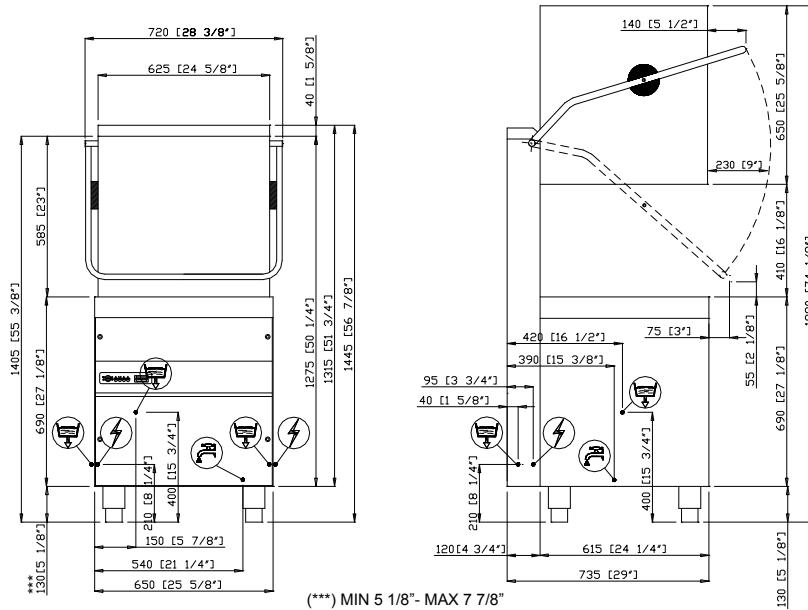


## HOOD TYPE DISHWASHER

### HT I I T

- Partial drain and fill operation
- Double walled 304 stainless steel structure
- Easy to use electronic touch panel
- 3 wash cycles
- Double skin insulated hood
- Hood operating START/STOP functions
- Deep-formed tank
- Independent wash/rinse arms
- Double tank filter + pump filter
- Straight through **or** corner application
- Detergent and rinse aid pumps are included
- Optional drain pump is available
- Perfect for functionality, reliability and versatility
- Be sure to ask about our **3M** water filters and water softeners to improve your final results and extend the life of your equipment...





	<b>WATER CONNECTION 3/4" G</b>
	<b>DRAINING 15/16 inch</b>
	<b>ELECTRICAL SUPPLY</b>

(\*\*\*) MIN 5 1/8" - MAX 7 7/8"

TECHNICAL DATA			
<b>EXTERNAL DIMENSIONS</b>			
<b>width</b>	(inch)	28 3/8"	
<b>depth</b>	(inch)	29"	
<b>height</b>	(inch)	56 7/8" - 74 1/8" (open hood)	
<b>WEIGHT</b>	(lbs)	220	
<b>VOLTAGE</b>		220-240 V 1 60Hz	
<b>POWER REQUIRED</b>	( W ) [ Ampere ]	10120 W [44.8 A]	
<b>WATER HARDNESS</b>		2-8 °F	
<b>INLET WATER PRESSURE</b>		25-60 PSI	
<b>CHINA DIMENSIONS</b>			
<b>plates diameter</b>	(inch)	16 1/4"	
<b>trays max. dimension</b>	(inch)	GASTRONORM 1/1	
<b>RACK DIMENSION</b>	(inch)	20"x20"	
<b>RACK EQUIPMENT</b>		2XC40 - 1XC44 - 2X15060	
<b>WASHING CYCLES</b>	(sec)	1<50>	2<120> 3<180>
<b>WATER SUPPLY 55°C</b>			
<b>racks/h(*)<sup>(1)</sup></b>		70	30 20
<b>WATER SUPPLY 10°C</b>			
<b>racks/h(*)<sup>(1)</sup></b>		34	30 20
<b>WATER CONSUMPTION / CYCLE</b>		0,73	
<b>(water pressure 200kPa)</b>	[gal(US)]		
<b>BOILER CAPACITY</b>	[gal(US)]	2,65	
<b>BOILER HEATING ELEMENT</b>		9000 W	
<b>RINSING TEMPERATURE (SET)</b>		85°C	
<b>TANK CAPACITY</b>	[gal(US)]	7,9	
<b>TANK HEATING ELEMENT</b>		2700 W	
<b>TANK TEMPERATURE (SET)</b>		65°C	
<b>PUMP POWER</b>		1120 W (132 gal(US)/min <sup>***</sup> )	
<b>DRAIN PUMP (optional)</b>		25W hMAX 31 1/2" (10,56 gal(US)/min <sup>***</sup> )	
<b>NOISE</b>		63,6±0.7 dB(A)	

(\*) STANDARD THERMOSTOP

(\*\*\*) MAXIMUM FLOW RATE

(1) In case of cold water supply and/or continuous washing, the rinse-water heating process might take more time than usual, until the proper rinse temperature is reached. For this reason, the wash-cycle total timing might result longer than set.